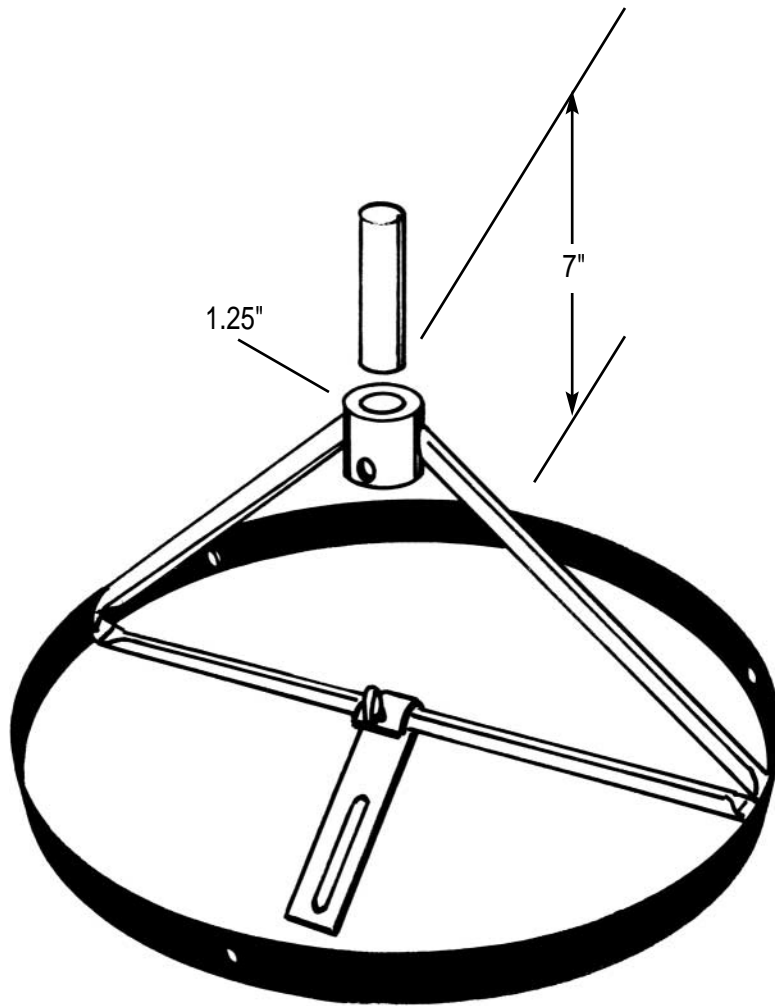
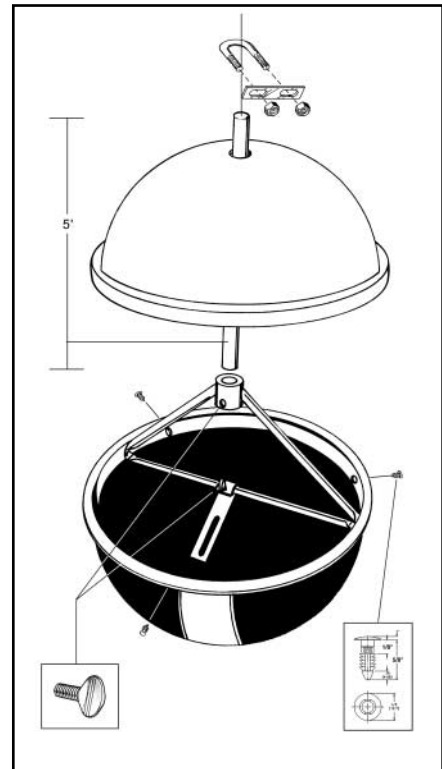
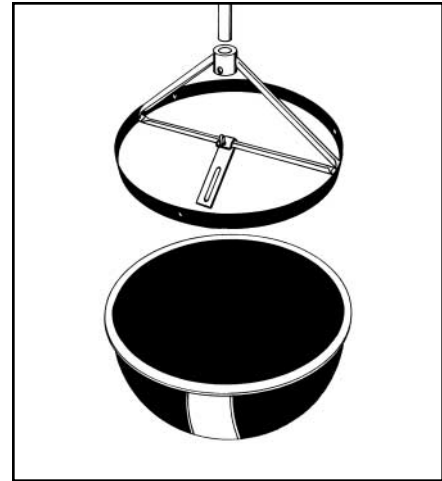


# Individual Camera Bracket for Globes



- Construction: 20 Ga.
- Support Arms: .500"
- Ring: 13-13/16" Dia. (Fits 14" Globe)
- Overall Height: 7"

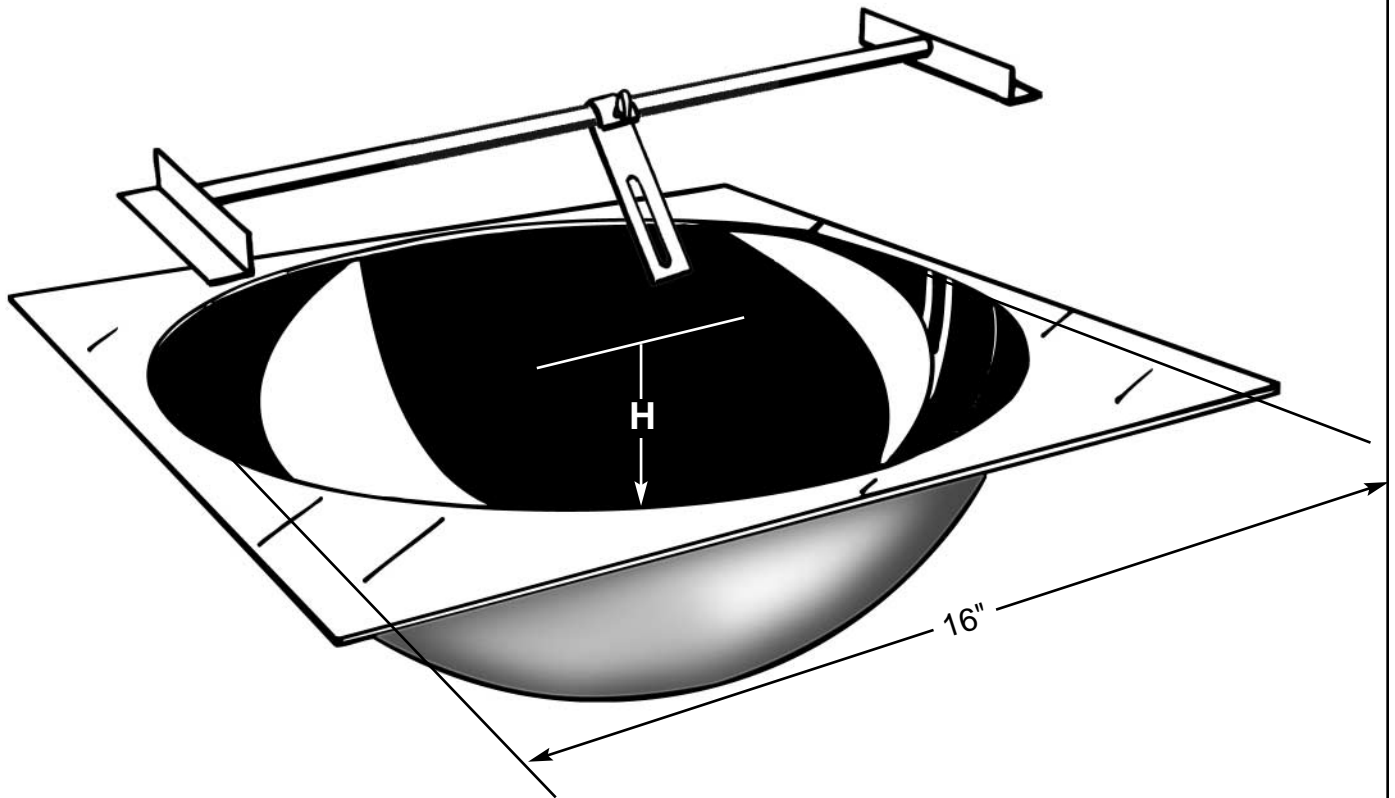


**Se-Kure Controls,® Inc.**

3714 Runge Street • Franklin Park, IL 60131 • 1-(800) 322-2435 • (847) 288-1111 • Fax: (847) 288-9999

On the Web: [www.se-kure.com](http://www.se-kure.com)  
E-Mail: [sekure@msn.com](mailto:sekure@msn.com)

# 16" (Mirrored) Domes with Camera Brackets



- Height: 7-1/2"
- Diameter: 16"
- Overall Size: 23-3/4" Square

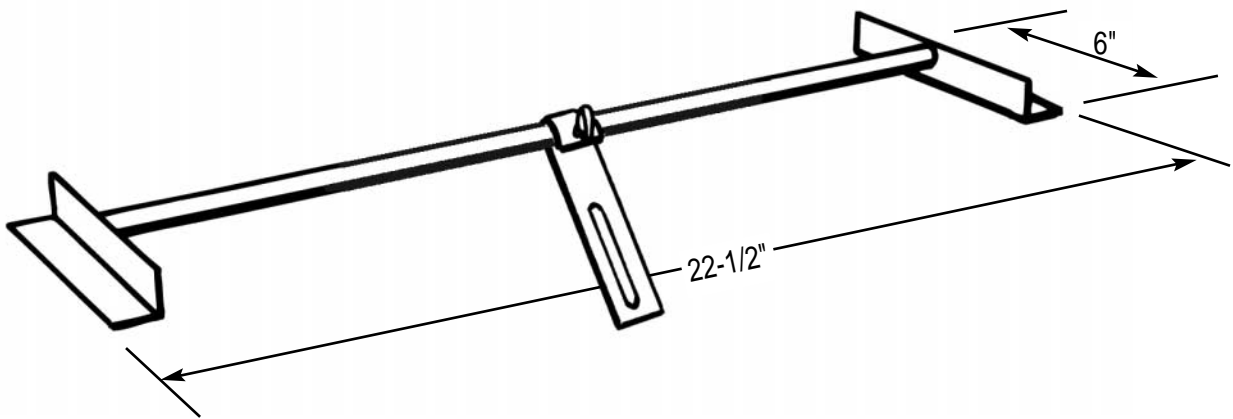


**Se-Kure Controls,® Inc.**

On the Web: [www.se-kure.com](http://www.se-kure.com)  
E-Mail: [sekure@msn.com](mailto:sekure@msn.com)

3714 Runge Street • Franklin Park, IL 60131 • 1-(800) 322-2435 • (847) 288-1111 • Fax: (847) 288-9999

# Individual Camera Bracket for Domes



- Support Post: .500 Dia.
- Support Legs: 6"
- Overall Length: 22-1/2"



**Se-Kure Controls,® Inc.**

On the Web: [www.se-kure.com](http://www.se-kure.com)  
E-Mail: [sekure@msn.com](mailto:sekure@msn.com)

3714 Runge Street • Franklin Park, IL 60131 • 1-(800) 322-2435 • (847) 288-1111 • Fax: (847) 288-9999